

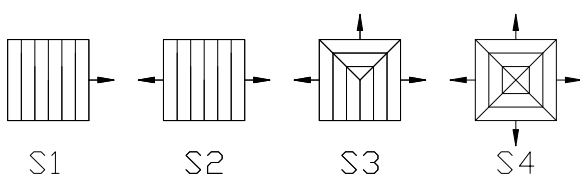
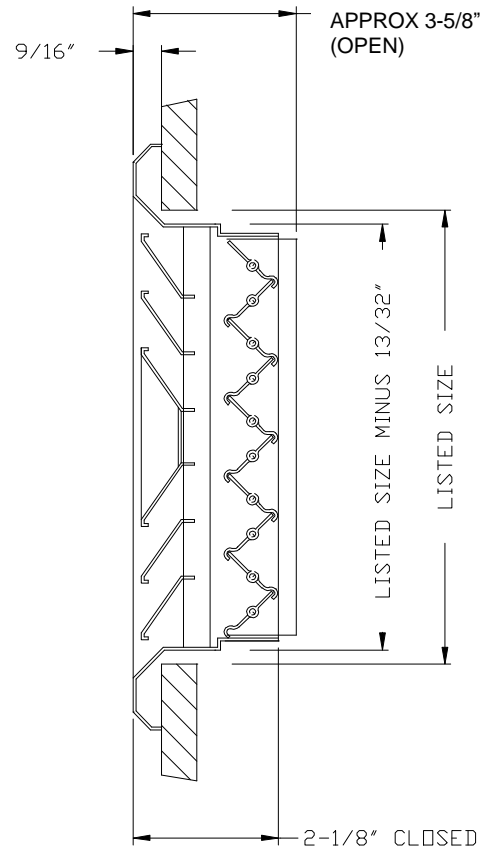
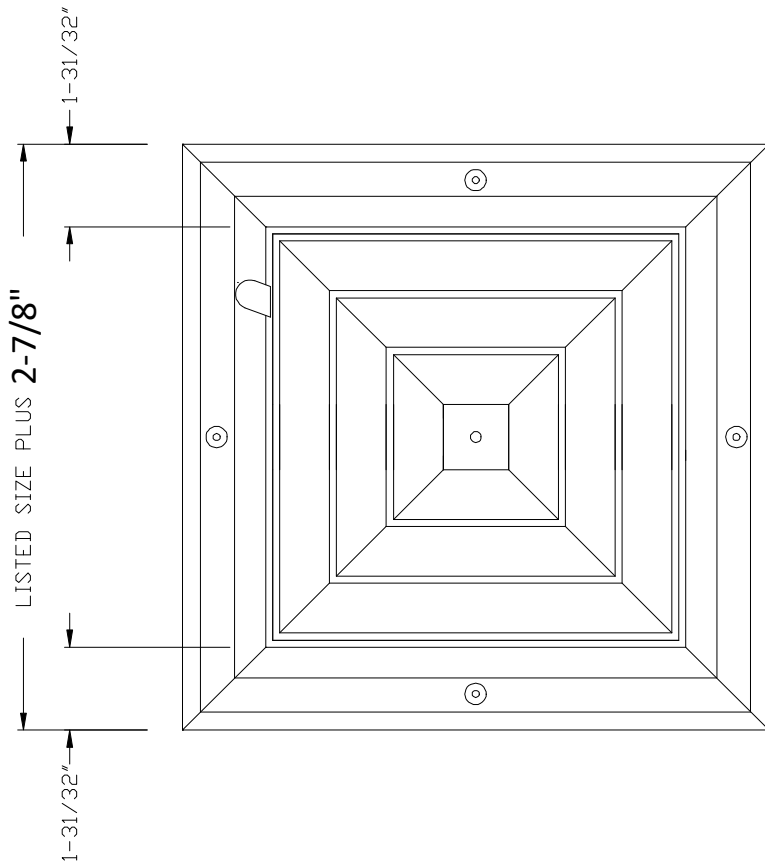


MODEL DEX

LOUVER FACE CEILING DIFFUSER W/
DAMPER EXTRUDED ALUMINUM

MODEL DEX- LOUVER FACE CEILING DIFFUSER W/DAMPER

1. EXTRUDED ALUMINUM CONSTRUCTION
2. REMOVABLE CORE
3. INCLUDES OPPOSED BLADE DAMPER
4. LEVER OPERATOR FOR DAMPER CONTROL
5. FOR NO SCREW HOLES ON FACE – ORDER AS DEX NSH
6. WHITE FINISH



| DEX | | Width | | | | | |
|--------|----|-------|-----|-----|-----|-----|-----|
| Height | 6" | 8" | 10" | 12" | 14" | 16" | 18" |
| 6" | X | | | | | | |
| 8" | | X | | | | | |
| 10" | | | X | | | | |
| 12" | | | | X | | | |
| 14" | | | | | X | | |
| 16" | | | | | | X | |
| 18" | | | | | | | X |

Submittal No. DEX

Revision:

Date: 08/21/2019

Submitted by:

Date submitted: