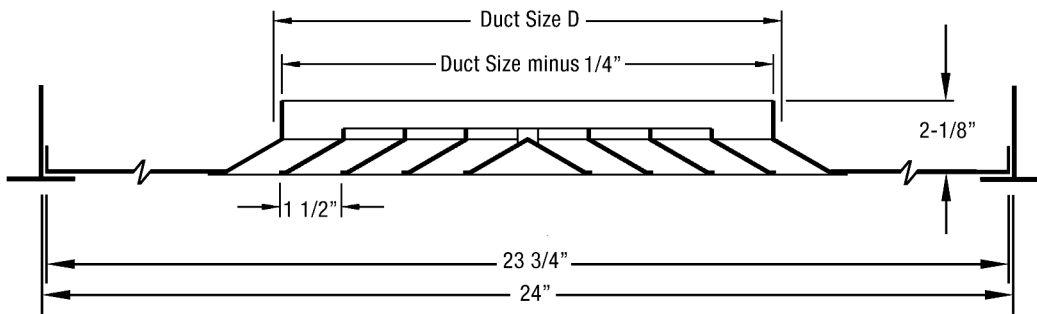
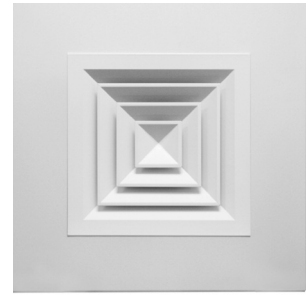


Model LFD-3

Louvered Face Ceiling Diffuser

Aluminum Core • Steel Panel



Features:

- Classic louvered face design
- Aluminum core is removable from diffuser face
- Steel Filler panel fits 24" x 24" T-bar ceilings
- Directional high capacity diffuser maintains horizontal blow pattern
- Available with lever style OBD
- 4-way core standard other throw patterns available upon request
- Excellent for variable volume applications
- White powder coated epoxy finish

Available Duct Sizes (D" x D")

6" x 6" through 21" x 21"
in 3" increments

Submittal No. _____ Date: _____

Dimensions in inches: _____